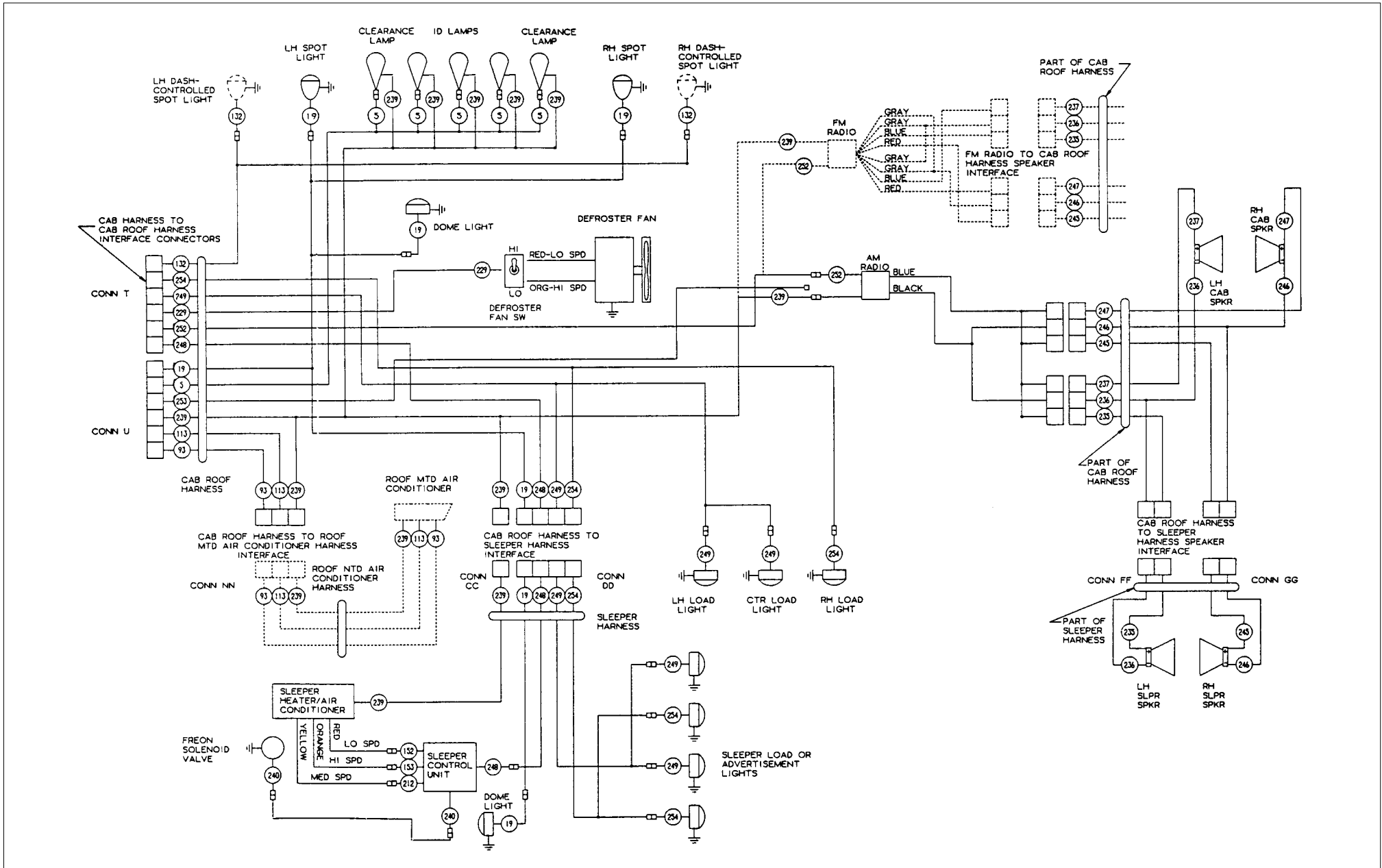
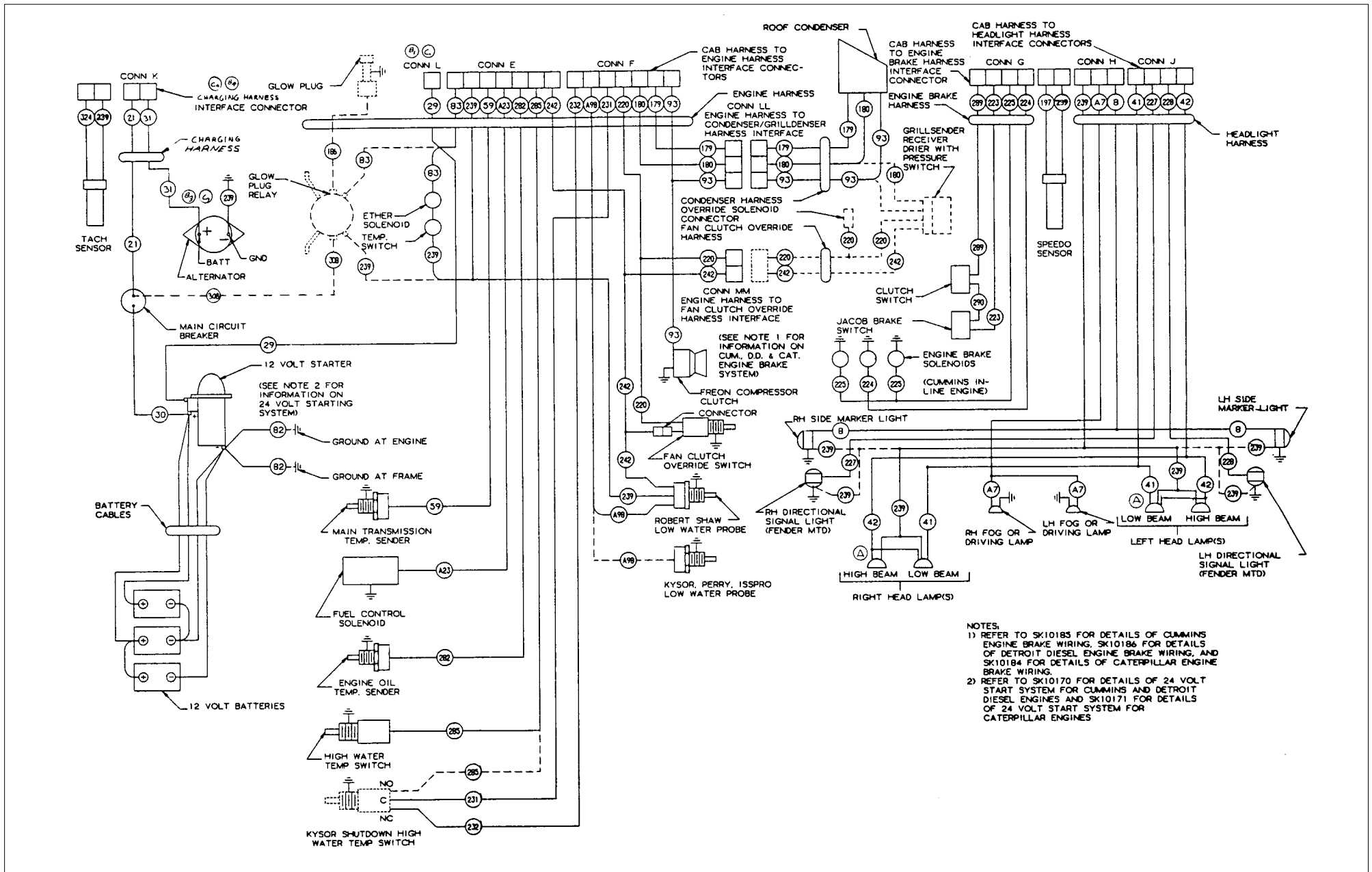


(CONTINUED FROM) →
SHEET # 2





NOTES:
 1) REFER TO SK10185 FOR DETAILS OF CUMMINS ENGINE BRAKE WIRING, SK10186 FOR DETAILS OF DETROIT DIESEL ENGINE BRAKE WIRING, AND SK10184 FOR DETAILS OF CATERPILLAR ENGINE BRAKE WIRING.
 2) REFER TO SK10170 FOR DETAILS OF 24 VOLT START SYSTEM FOR CUMMINS AND DETROIT DIESEL ENGINES AND SK10171 FOR DETAILS OF 24 VOLT START SYSTEM FOR CATERPILLAR ENGINES



