

| | | |
|----|---|---|
| 36 | 16-09179 METRI PACK 2 WAY | 1 |
| 35 | 16-02886 PACKARD 56 SERIES | 3 |
| 34 | 16-02897 PACKARD 56 SERIES | 1 |
| 33 | 16-09116 METRI PACK 6 WAY | 1 |
| 32 | 16-09119 METRI PACK 8 WAY | 2 |
| 31 | 16-09120 PACKARD 56 SERIES | 2 |
| 30 | 16-09173 METRI PACK 2 WAY | 1 |
| 29 | 16-09093-001 METRI PACK 150 SERIES | 1 |
| 28 | 16-09525 DUETSCH DIAGNOSTIC CONNECTOR | 1 |
| 27 | 16-09063-004 MOLEX SABRE 4 WAY | 1 |
| 26 | 16-09125 PACKARD PCB MODULE | 1 |
| 25 | 16-07804-002 MOLEX MINI FIT JR 10 WAY | 1 |
| 24 | 16-07804-004 MOLEX MINIFIT JR 14 WAY | 1 |
| 23 | 16-07804-007 MOLEX MINIFIT JR 20 WAY | 1 |
| 22 | 16-07833 SEAL | 6 |
| 21 | 16-09115 METRI PACK 480 SERIES 4 WAY | 1 |
| 20 | 16-08066 630 SERIES 2 WAY | 1 |
| 19 | 16-07710 METRI PACK 280 SERIES 4 WAY | 2 |
| 18 | 16-07493 2-WAY METRI PACK | 1 |
| 17 | 16-02974 PACKARD 56 SERIES 4 WAY (SEE DETAIL B) | 1 |
| 16 | 16-09102 PACKARD 56 SERIES 6 WAY (SEE DETAIL C) | 1 |
| 15 | 16-07121-004 AMP 3 WAY | 1 |
| 14 | 16-07898 METRI PACK 150 SERIES | 2 |
| 13 | DUAL WALL SHRINK SLEEVE BLACK | 1 |
| 12 | 16-09060-004 MOLEX MINI FIT SR | 1 |
| 11 | 16-02103 MOLDED | 4 |
| 10 | 16-02385 90 DEG MOLDED CONN | 2 |
| 9 | 16-09101 DEUTSCH DTHD PANEL MOUNT | 1 |
| 8 | 16-07701 METRI-PACK 2-WAY | 2 |
| 7 | 16-08396 METRI PACK 150 SERIES | 5 |
| 6 | CAB E-BLOCK ASSEMBLY (SEE DETAIL A AND NOTE 6) | 1 |
| 5 | 16-02971 PACKARD 56 SERIES | 1 |
| 4 | 16-07804-008 MOLEX MINI FIT JR | 1 |
| 3 | 16-07459 EATON CONN (SEE NOTE 11) | 9 |
| 2 | 16-02973 PACKARD 56 SERIES 4 WAY | 1 |
| 1 | 16-09071 EPIC 76 WAY CONN | 1 |

- NOTES:
- ASSEMBLE PER PETERBILT MPS 1600.002 EXCEPT FOR THE FOLLOWING:
 - WIRE COLOR DETERMINED BY DIAGRAM
 - TERMINALS ARE TO BE SELECTED USING SK28129 TERMINAL CODE 11 OR 12
 - FOR USE WITH 387 MODEL TRUCK "HIGH CONTENT"
 - SPICES TO BE LOCATED IN AREA SHOWN
 - SEE DETAIL "A" FOR LOAD CENTER PIN OUT
 - THE FOLLOWING CIRCUIT TO BE TWISTED PAIRS (20 TO 25 MM PER TWIST):
 - CIRCUIT 417-3 AND 418-3
 - CIRCUIT 417-1 AND 418-1
 - CIRCUIT 636-1 AND 637-1
 - CIRCUIT 417-2 AND 418-2
 - CIRCUIT 417-4 AND 418-4
 - E-BLOCK ASSEMBLY TO BE MADE FROM THE FOLLOWING PARTS:
 - 92-1091-001 AND RE2423-001 (QTY. 3)
 - 2450-001 AND 2451-001 (QTY. 3)
 - PE1953-001 AND PE1954-001 (QTY. 1)
 - MOUNTING LEG 2-4801 (QTY. 4)
 - LABELS SHALL BE APPLIED TO THE HARNESS WITHIN 75mm FROM THE BACK OF THE CONNECTOR AND SHOULD BE VISIBLE UPON COMPLETION OF THE HARNESS
 - UNCOVERED CIRCUITS TO BE SPOT TAPED EVERY SIX INCHES
 - CAB4 TO USE TERMINAL CODE 129 - 1/2
 - CAB33 AND CAB34 ARE TO USE TERMINAL 16-03781
 - SHIP WITH CAB60 AND CAB61 CONNECTED ILLUSTRATED IN DETAIL "E"
 - PIN 2B OF SWITCH CONN IS SHOWN AS PIN 2 AND 5B IS SHOWN AS 5.
 - CIRCUIT 669.670 OPTIONAL CONSTRUCTION TXL

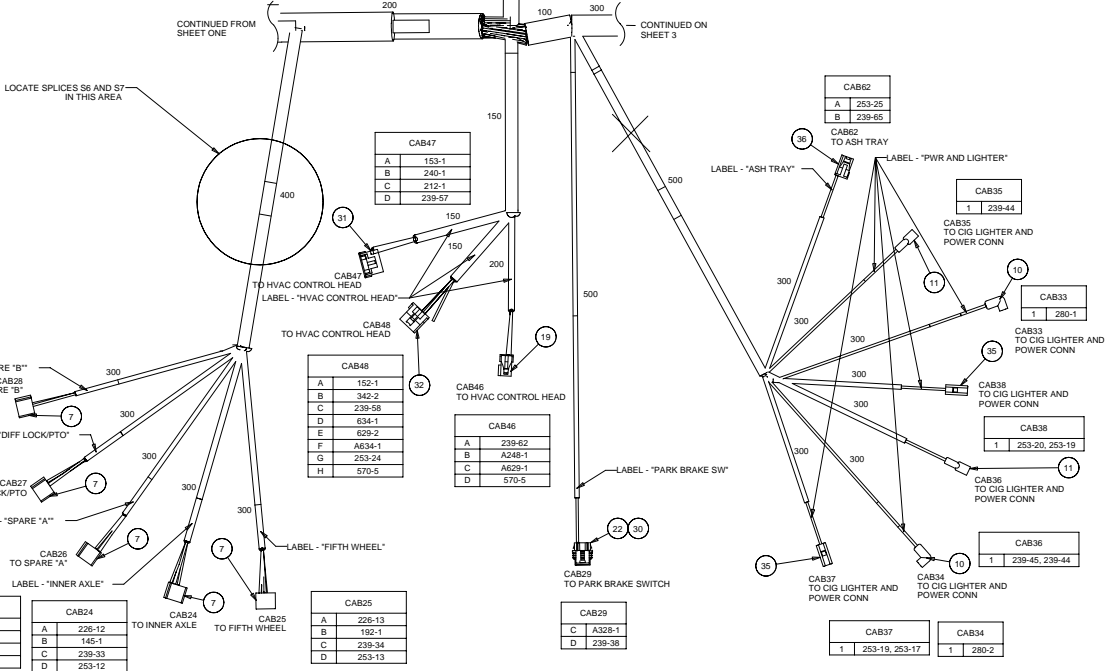
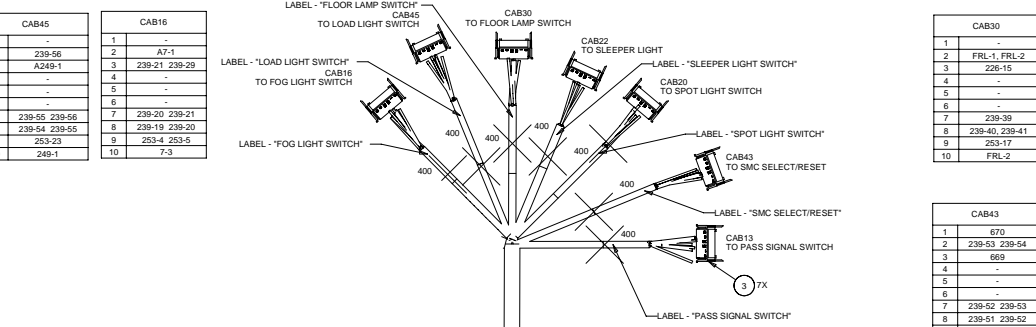


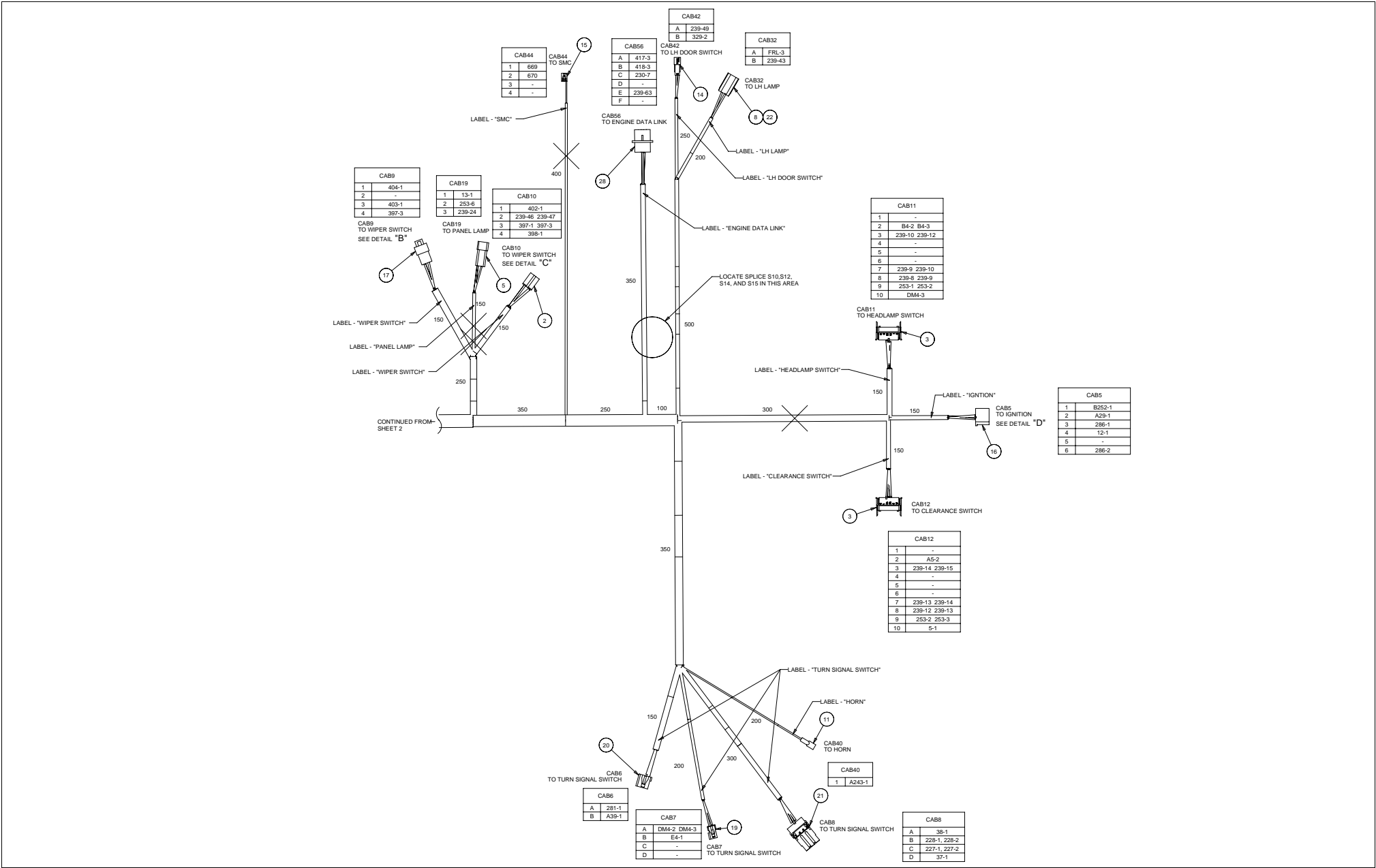
A DIVISION OF PACCAR

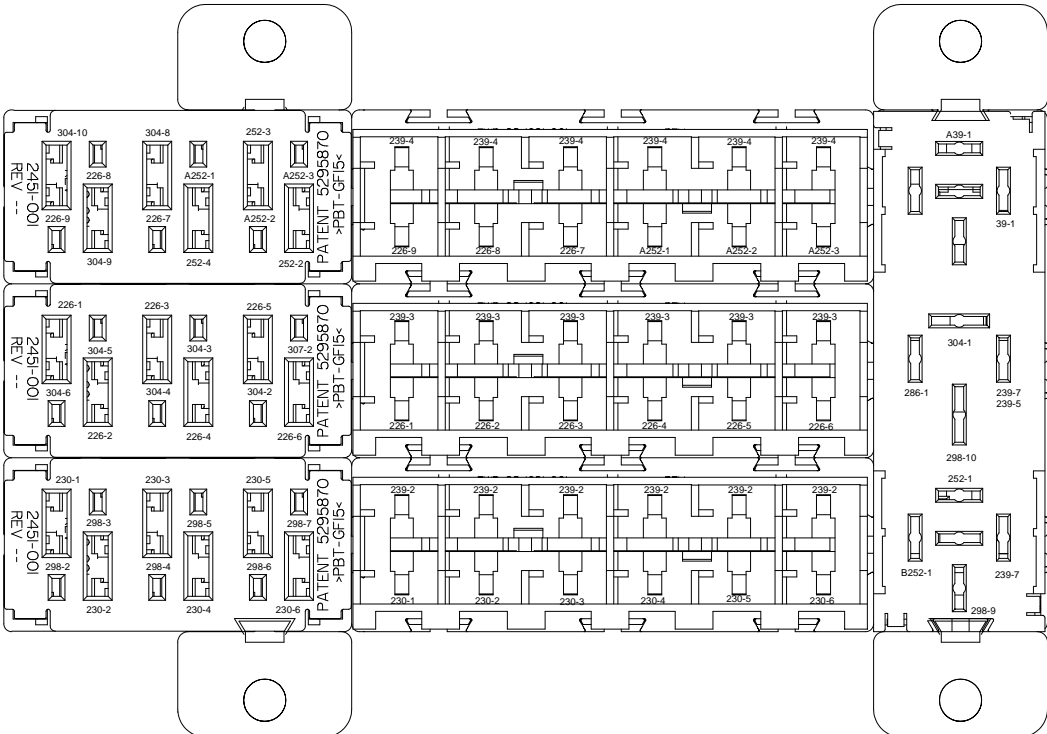
| CAB45 | | CAB16 | |
|-------|---------------|-------|---------------|
| 1 | - | 1 | - |
| 2 | 238-56 | 2 | A7-1 |
| 3 | A249-1 | 3 | 239-21 239-29 |
| 4 | - | 4 | - |
| 5 | - | 5 | - |
| 6 | - | 6 | - |
| 7 | 239-45 239-46 | 7 | 239-20 239-21 |
| 8 | 239-54 239-55 | 8 | 239-19 239-20 |
| 9 | 253-23 | 9 | 253-4 253-5 |
| 10 | 249-1 | 10 | 7-3 |

| CAB30 | | CAB22 | | CAB20 | |
|-------|---------------|-------|---------------|-------|---------------|
| 1 | - | 1 | - | 1 | - |
| 2 | FRL-1, FRL-2 | 2 | B19-1 | 2 | A132-1 |
| 3 | 226-15 | 3 | B19-2 | 3 | 239-27 239-28 |
| 4 | - | 4 | - | 4 | - |
| 5 | - | 5 | 280-4 | 5 | - |
| 6 | - | 6 | - | 6 | - |
| 7 | 239-38 | 7 | 239-28 239-30 | 7 | 239-26 239-27 |
| 8 | 239-40 239-41 | 8 | - | 8 | 239-29 239-28 |
| 9 | 253-17 | 9 | 253-8 253-10 | 9 | 253-7 253-8 |
| 10 | FRL-2 | 10 | - | 10 | 132-1 |

| CAB43 | | CAB13 | |
|-------|---------------|-------|---------------|
| 1 | 670 | 1 | - |
| 2 | 239-53 239-54 | 2 | B4-3 |
| 3 | 669 | 3 | 239-17 239-18 |
| 4 | - | 4 | B5-1 |
| 5 | - | 5 | 239-18 239-19 |
| 6 | - | 6 | - |
| 7 | 239-52 239-53 | 7 | 239-16 239-17 |
| 8 | 239-51 239-52 | 8 | 239-15 239-16 |
| 9 | 253-22 253-23 | 9 | 253-3 253-4 |
| 10 | 253-21 253-22 | 10 | - |

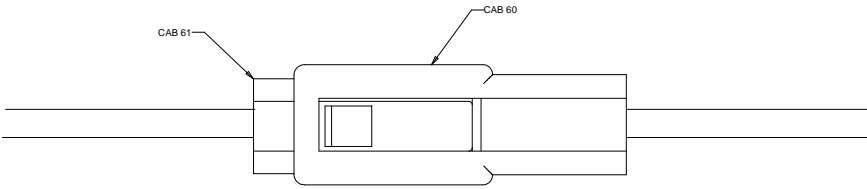






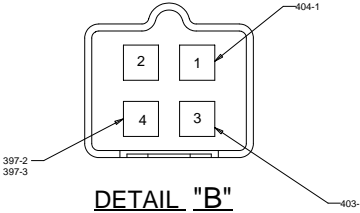
DETAIL "A"

CAB E-BLOCK ASSEMBLY
(SEE NOTE 4 AND 6)



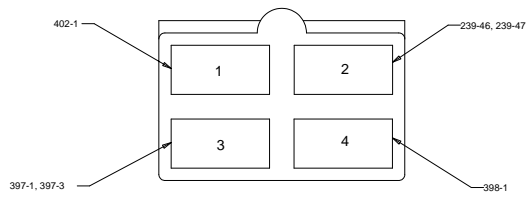
DETAIL "E"

CAB 60 AND CAB 61 ARE TO BE
CONNECTED TOGETHER
(SEE NOTE 10)



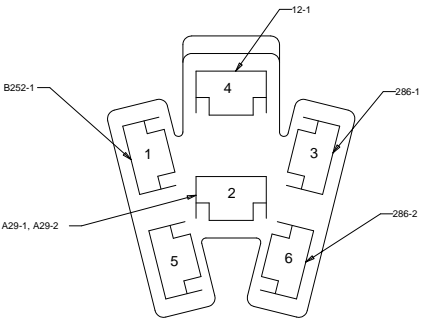
DETAIL "B"

FRONT OF CONNECTOR
16-02974



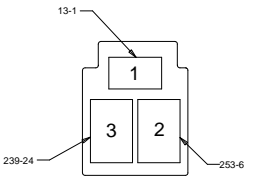
DETAIL "C"

FRONT OF CONNECTOR
16-02973



DETAIL "D"

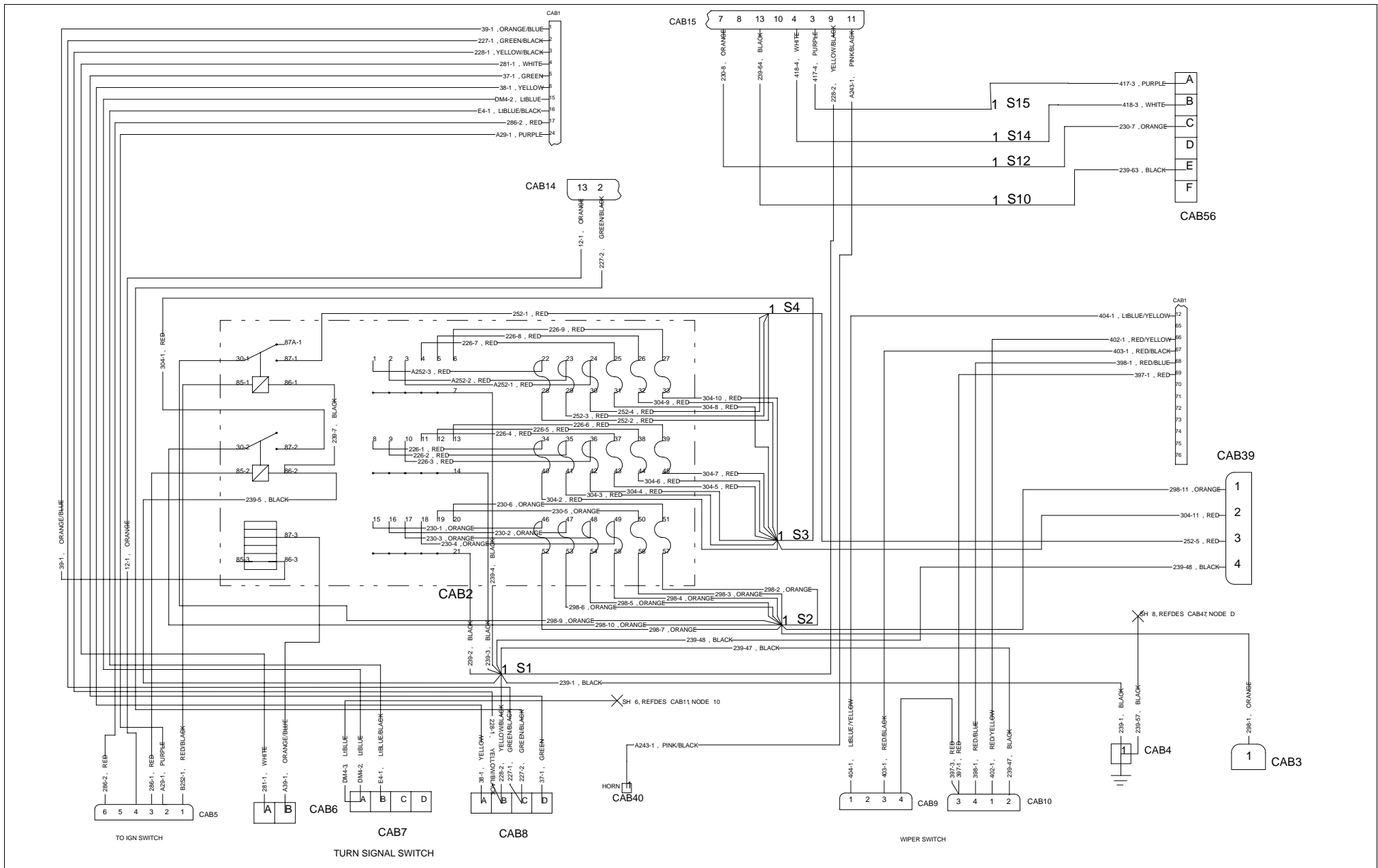
FRONT OF CONNECTOR
16-09102

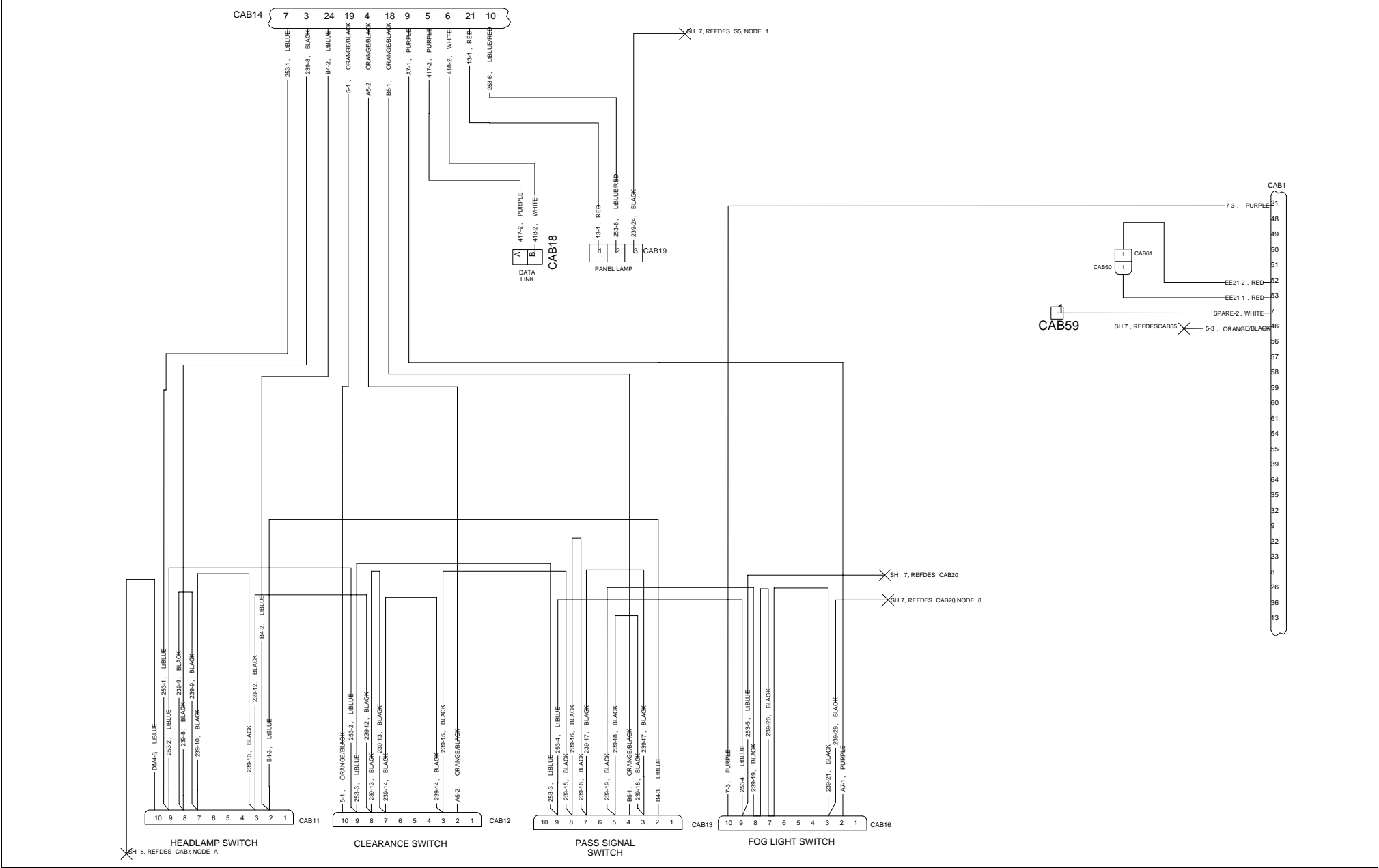


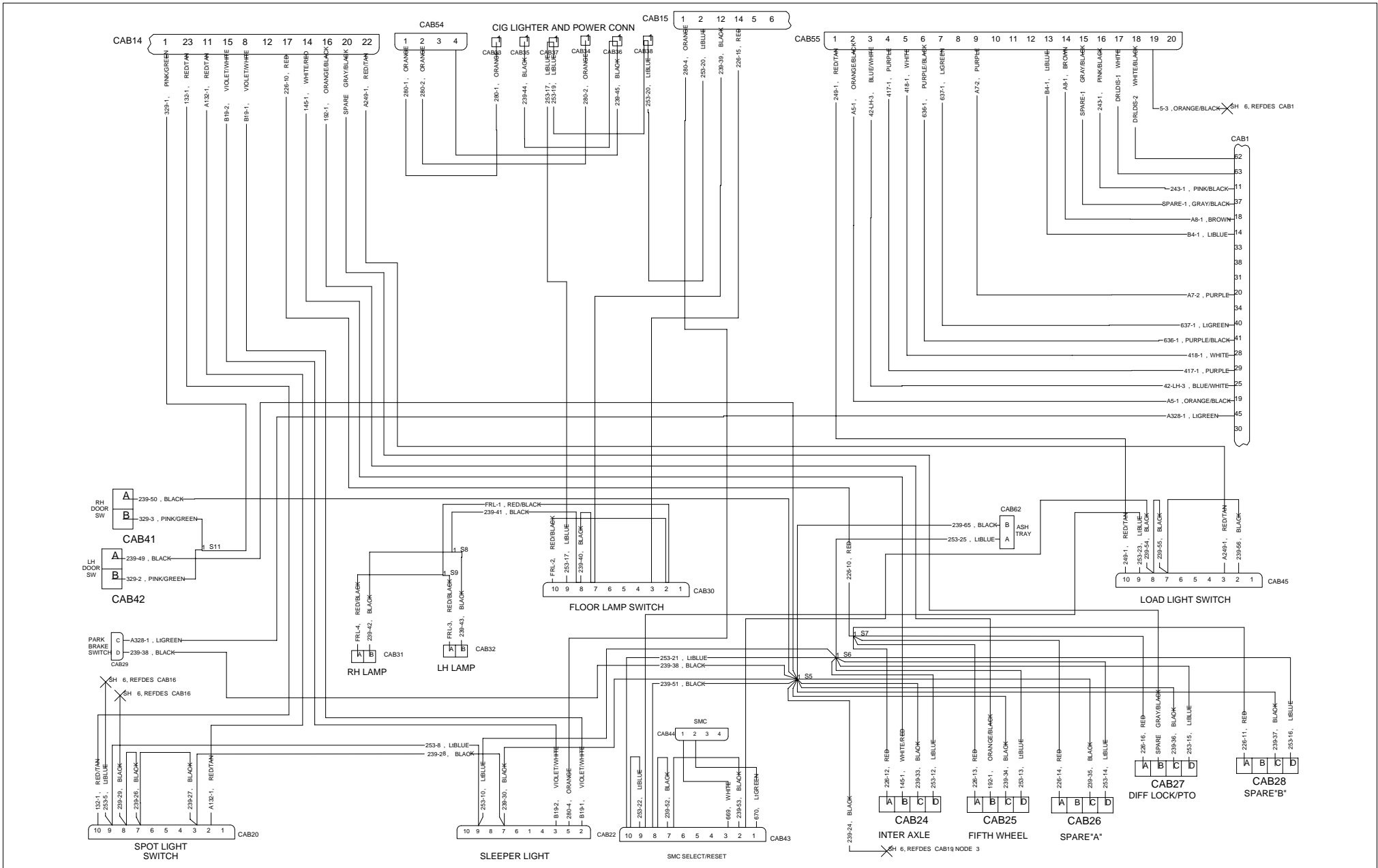
DETAIL "F"

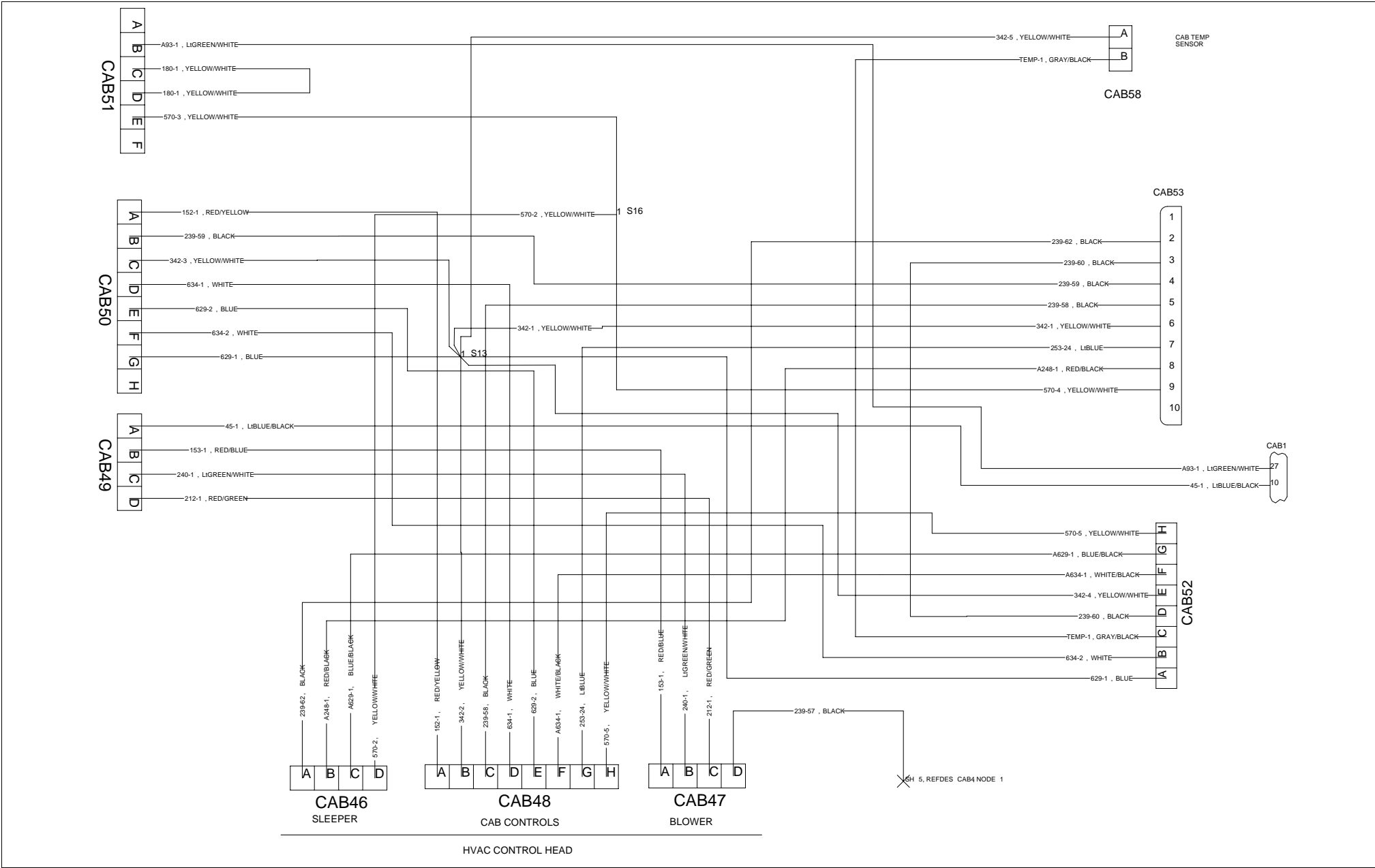
FRONT OF CONNECTOR
16-02971











| CONN | PN | DESCRIPTION |
|-------|---------------|--------------------------|
| CAB1 | 16-09071 | EPIC_76_WAY_CONN |
| CAB10 | 16-02973 | PACKARD_56_SERIES_4WAY |
| CAB11 | 16-07459 | EATON_CONN |
| CAB12 | 16-07459 | EATON_CONN |
| CAB13 | 16-07459 | EATON_CONN |
| CAB14 | 16-07804-008 | MOLEX_MINI_FIT_JR |
| CAB15 | 16-07804-004 | MOLEX_MINI_FIT_JR_14_WAY |
| CAB16 | 16-07459 | EATON_CONN |
| CAB18 | 16-07493 | METRI_PACK_150_SERIES |
| CAB19 | 16-02971 | PACKARD_56_SERIES |
| CAB2 | 16-09028_EBLK | AFL_E_BLACK_ASSY |
| CAB20 | 16-07459 | EATON_CONN |
| CAB22 | 16-07459 | EATON_CONN |
| CAB24 | 16-06396 | METRI_PACK_150_SERIES |
| CAB25 | 16-06396 | METRI_PACK_150_SERIES |
| CAB26 | 16-06396 | METRI_PACK_150_SERIES |
| CAB27 | 16-06396 | METRI_PACK_150_SERIES |
| CAB28 | 16-06396 | METRI_PACK_150_SERIES |
| CAB29 | 16-09173 | METRI_PACK_CONN |
| CAB3 | 16-09101 | DEUTSCH_DTHD_PANEL_MOUNT |
| CAB30 | 16-07459 | EATON_CONN |
| CAB33 | 16-02102 | 90_DEG_MOLDED |
| CAB34 | 16-02102 | 90_DEG_MOLDED |
| CAB35 | 16-02103 | MOLDED |
| CAB36 | 16-02103 | MOLDED |
| CAB37 | 16-02896 | MOLDED |
| CAB38 | 16-02896 | MOLDED |
| CAB39 | 16-09060-004 | MOLEX_MINI_FIT_SR |
| CAB4 | SHRINK_SLEEVE | DUAL_WALL_BLACK |
| CAB40 | 16-02103 | MOLDED |
| CAB41 | 16-07898 | METRI_PACK_150_SERIES |
| CAB42 | 16-07898 | METRI_PACK_150_SERIES |
| CAB43 | 16-07459 | EATON_CONN |
| CAB44 | 16-07121-004 | AMP_CONN_3_WAY |
| CAB45 | 16-07459 | EATON_CONN |
| CAB46 | 16-07710 | METRI_PACK_4_WAY |
| CAB47 | 16-09120 | METRI_PACK_4_WAY |
| CAB48 | 16-09119 | METRI_PACK_8_WAY |
| CAB49 | 16-09120 | METRI_PACK_4_WAY |
| CAB5 | 16-09102 | PACKARD_56_SERIES |

| CONN | PN | DESCRIPTION |
|-------|--------------|----------------------------|
| CAB50 | 16-09119 | METRI_PACK_8_WAY |
| CAB51 | 16-09118 | METRI_PACK_6_WAY |
| CAB52 | 16-09125 | PACKARD_PCB_MODULE |
| CAB53 | 16-07804-002 | MOLEX_MINI_FIT_JR |
| CAB54 | 16-09063-004 | MOLEX_SABER_CONN_4_WAY |
| CAB55 | 16-07804-007 | MOLEX_MINI_FIT_JR_20_WAY |
| CAB56 | 16-05925 | DEUTSCH_DIAG_CONN |
| CAB58 | 16-09093-001 | METRI_PACK_150_SERIES |
| CAB59 | 16-02103 | MOLDED_CONN |
| CAB6 | 16-08066 | METRI_PACK_630_SERIES |
| CAB60 | 16-02897 | 56_SERIES |
| CAB61 | 16-02896 | 56_SERIES |
| CAB62 | 16-09179 | METRI_PACK_2_WAY |
| CAB7 | 16-07710 | METRI_PACK_280_SERIES_4WAY |
| CAB8 | 16-09115 | METRI_PACK_480_SERIES_4WAY |
| CAB9 | 16-02974 | PACKARD_56_SERIES_4WAY |
| S1 | SPLICE | SPLICE |
| S10 | SPLICE | SPLICE |
| S11 | SPLICE | SPLICE |
| S12 | SPLICE | SPLICE |
| S13 | SPLICE | SPLICE |
| S14 | SPLICE | SPLICE |
| S15 | SPLICE | SPLICE |
| S16 | SPLICE | SPLICE |
| S2 | SPLICE | SPLICE |
| S3 | SPLICE | SPLICE |
| S4 | SPLICE | SPLICE |
| S5 | SPLICE | SPLICE |
| S6 | SPLICE | SPLICE |
| S7 | SPLICE | SPLICE |
| S8 | SPLICE | SPLICE |
| S9 | SPLICE | SPLICE |
| | | |
| | | |
| | | |
| | | |
| | | |
| | | |
| | | |
| | | |
| | | |
| | | |
| | | |

